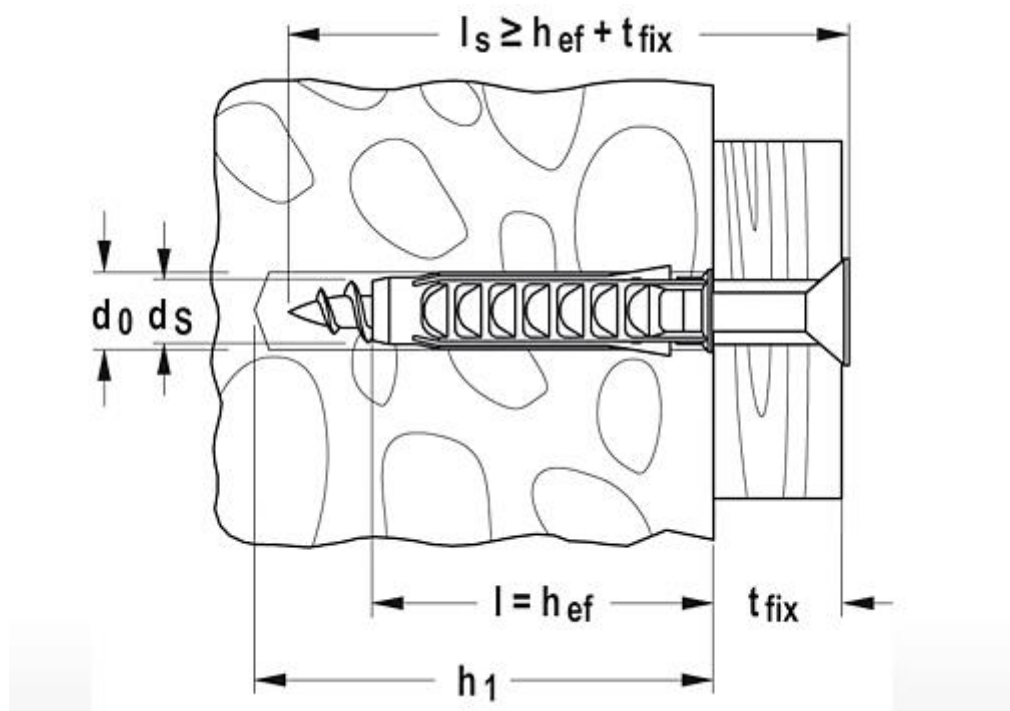


Дюбел с опорен пръстен, к-кт с винт/PZ SX ф 5 x 25 мм, GKS K NV, блистер



Drill hole diameter	d_0	5	[mm]
Min. drill hole depth	h_1	35	[mm]
Anchor length	l	25	[mm]
Screw	$d_s \times l_s$	3,5 x 30	[mm]
Effect. anchorage depth	h_{ef}	25	[mm]
Drive		PZ2	
Card contents		25 x SX 5 x 25, 25 x wood screw 3.5 x 30	
Sales unit		10	[pcs]
GTIN (EAN Code)		4006209908983	